

DEIGHAN HOSE REEL

**QUALITY PETROLEUM DELIVERY REELS
SINCE 1978**

PRICES EFFECTIVE 2/15/2011

PAGE 1

QUALITY PETROLEUM DELIVERY REELS DEIGHAN HOSE REEL

TIME PROVEN IN THE FIELD

VERSATILE DESIGN

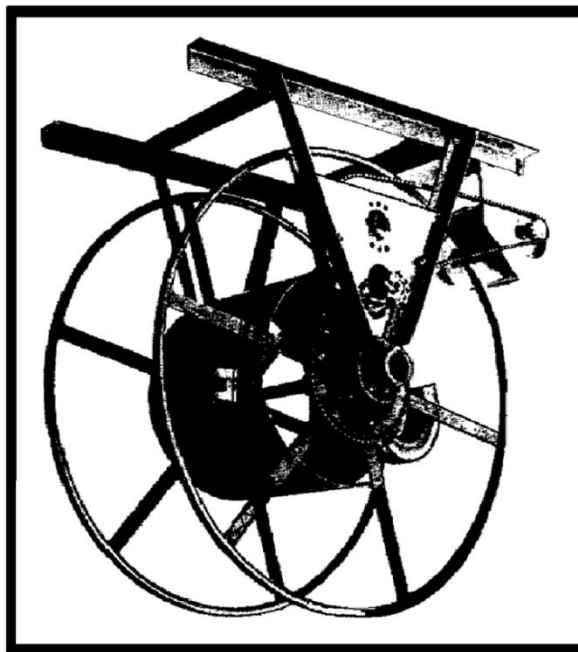
**INVERTED SIDE BOX
REAR BUCKET BOX**

**5/16" STRAIGHT BEARING
SUPPORT BRACKET**

**7/8" SELF ALIGNING
REAR BEARING**

MANUAL OR AIR BRAKE

**U.L. APPROVED XP
MOTOR MOUNTED
INBOARD OR OUTBOARD**



**SPOKE TYPE
EASY TO MAINTAIN**

**TWO BEARINGS IN
SWING JOINT**

2" GROOVED INLET

**HEAVY DUTY BASE
FOR INVERTED
INSTALLATION**

**HOLDS 1" THRU 2"
I.D. HOSE**

MADE IN USA

**REELS ALSO AVAILABLE FOR: AIRCRAFT REFUELING
IN-PLANT SERVICE
FUELING OF CONSTRUCTION VEHICLES
INDUSTRIAL APPLICATIONS
MARINAS**

CONTACT ADVANCED TANK SYSTEMS INC.

**301 ENTERPRISE LANE, COLMAR, PA 18915
(215) 822-1336 FAX (215) 822-5591**

DEIGHAN HOSE REEL

QUALITY PETROLEUM DELIVERY REELS
SINCE 1978

PRICES EFFECTIVE 2/15/2011

PAGE 2

HOSE CAPACITY FOR 1-1/2" REELS

<u>MODEL NO.</u>	<u>HOSE I.D.</u>			<u>DIMENSION</u>	
	1-1/4"	1-3/8"	1-1/2"	D	W
15-23-14	75			23	14
15-23-18	100			23	18
15-23-22	125			23	22
15-23-26	150			23	26
15-23-19		100		23	19
15-23-23		125		23	23
15-23-27		150		23	27
15-23-15		90	75	23	15
15-23-195			100	23	19.5
15-23-24			125	23	24
15-23-285			150	23	28.5
15-30-8	75			30	8
15-30-10	100			30	10
15-30-12	125	100		30	12
15-30-14	150	125		30	14
15-30-115			75	30	11.5
15-30-165		150	125	30	16.5
15-30-19			150	30	19
15-33-7	75			33.5	7
15-33-8	100		75	33.5	8
15-33-10	125	110	100	33.5	10
15-33-12	160	150	125	33.5	12
15-33-125		150	125	33.5	12.5

*see page 5 for dimension sketch

ADVANCED TANK SYSTEMS INC

301 ENTERPRISE LANE, COLMAR PA 18915
PHONE 215-822-1336 FAX 215-822-5591

DEIGHAN HOSE REEL

**QUALITY PETROLEUM DELIVERY REELS
SINCE 1978**

PRICES EFFECTIVE 2/15/2011

PAGE 3

HOSE CAPACITY FOR 1-1/2" REELS

<u>MODEL NO.</u>	<u>HOSE I.D.</u>			<u>DIMENSION</u>	
	1-1/4"	1-3/8"	1-1/2"	D	W
15-33-15	175	165	150	33	15
15-40-10	175	165	150	40	10

*see page 5 for dimension sketch

ADVANCED TANK SYSTEMS INC

301 ENTERPRISE LANE, COLMAR PA 18915
PHONE 215-822-1336 FAX 215-822-5591

DEIGHAN HOSE REEL

QUALITY PETROLEUM DELIVERY REELS
SINCE 1978

PRICES EFFECTIVE 2/15/2011

PAGE 4

HOSE CAPACITY FOR 2" REELS

<u>MODEL NO.</u>	<u>HOSE I.D.</u>			<u>DIMENSION</u>	
	1-3/8"	1-1/2"	2"	D	W
20-23-19	100	75	50	23	19
20-23-23	125	100	60	23	23
20-23-27	150	125	75	23	27
20-23-285	150	150	75	23	28.5
20-24-115	75	50	25	24	11.5
20-24-195	125	100	50	24	19.5
20-24-245	150	125	75	24	24.5
20-24-325	175	100	100	24	32.5
20-33-9	100	75	50	33.5	9
20-33-11	125	100	60	33.5	11
20-33-12	125	100	60	33.5	12
20-33-13	150	125	75	33.5	13
20-33-145	150	125	75	33.5	14.5
20-33-15	150	125	75	33.5	15
20-33-17	150	125	100	33.5	17
20-33-195	175	150	125	33.5	19.5

*see page 5 for dimension sketch

ADVANCED TANK SYSTEMS INC

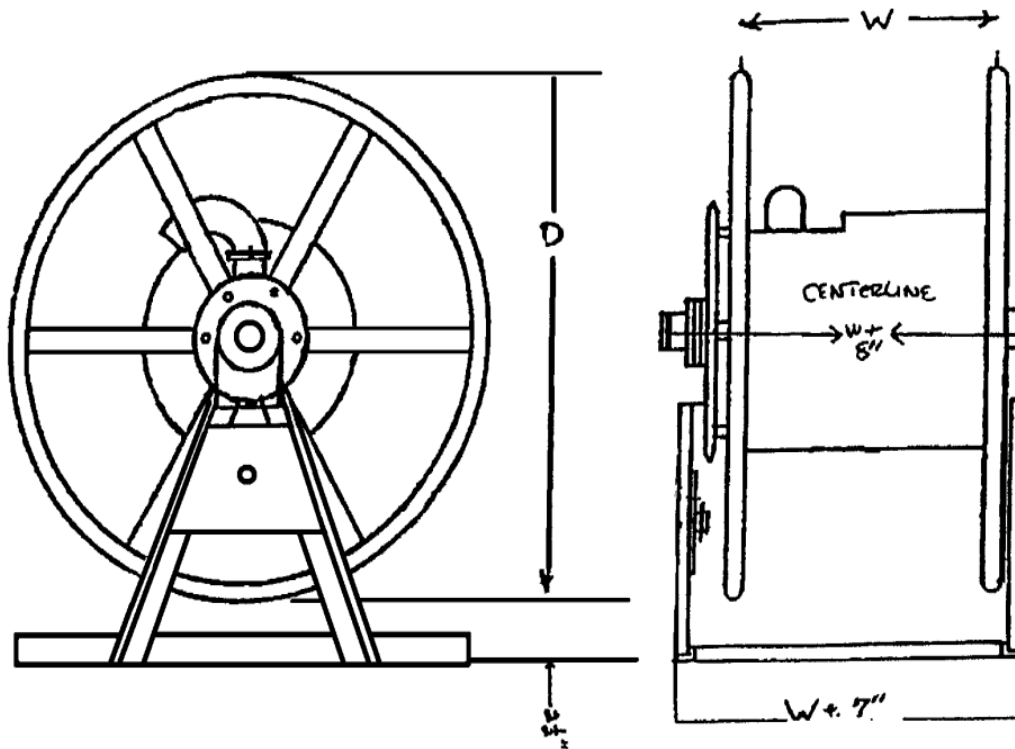
301 ENTERPRISE LANE, COLMAR PA 18915
PHONE 215-822-1336 FAX 215-822-5591

DEIGHAN HOSE REEL

QUALITY PETROLEUM DELIVERY REELS
SINCE 1978

PRICES EFFECTIVE 2/15/2011

PAGE 5



ADVANCED TANK SYSTEMS INC

301 ENTERPRISE LANE, COLMAR PA 18915
PHONE 215-822-1336 FAX 215-822-5591

DEIGHAN HOSE REEL

**QUALITY PETROLEUM DELIVERY REELS
SINCE 1978**

PRICES EFFECTIVE 2/15/2011

PAGE 6

REELS WITH 1-1/2" SWIVEL

RIM DIAMETER 33-1/2" OR LESS TO HOLD 1" THRU
1-1/2" I.D. HOSE WITH XP 12 VOLT DC MOTOR AND
AIR BRAKE.....\$ 1,325.00

REELS WITH 1-1/2" SWIVEL

RIM DIAMETER OVER 33-1/2" TO HOLD 1-1/4" THRU
1-1/2" I.D. HOSE WITH XP 12 VOLT DC MOTOR AND
AIR BRAKE.....\$ 1,425.00

REELS WITH 2" SWIVEL

RIM DIAMETER 33-1/2" OR LESS TO HOLD 1-1/2" AND
2" I.D. HOSE WITH XP 12 VOLT DC MOTOR AND AIR
BREAK.....\$ 1,360.00

REELS WITH 2" SWIVEL

RIM DIAMETER OVER 33-1/2" TO HOLD 1-1/2" AND
2" I.D. HOSE WITH XP 12 VOLT DC MOTOR AND AIR
BRAKE.....\$ 1,490.00

FOR HAND BRAKE.....DEDUCT.....\$ 100.00
FOR 110 VOLT XP AC MOTOR.....ADD.....\$ 170.00
FOR AIR REWIND.....ADD.....\$ 140.00
FOR VITON SEALS STANDARD

3 YEAR WARRANTY

DEFECTIVE COMPONENTS WILL BE REPLACED AT NO CHARGE
WITHIN 3 YEARS OF PURCHASE DATE
WARRANTY EXCLUDES LABOR AND DOES NOT INCLUDE
ELECTRICAL COMPONENTS WHICH ARE COVERED BY
ONE YEAR MANUFACTURERS' WARRANTY.

ADVANCED TANK SYSTEMS INC

301 ENTERPRISE LANE, COLMAR PA 18915
PHONE 215-822-1336 FAX 215-822-5591

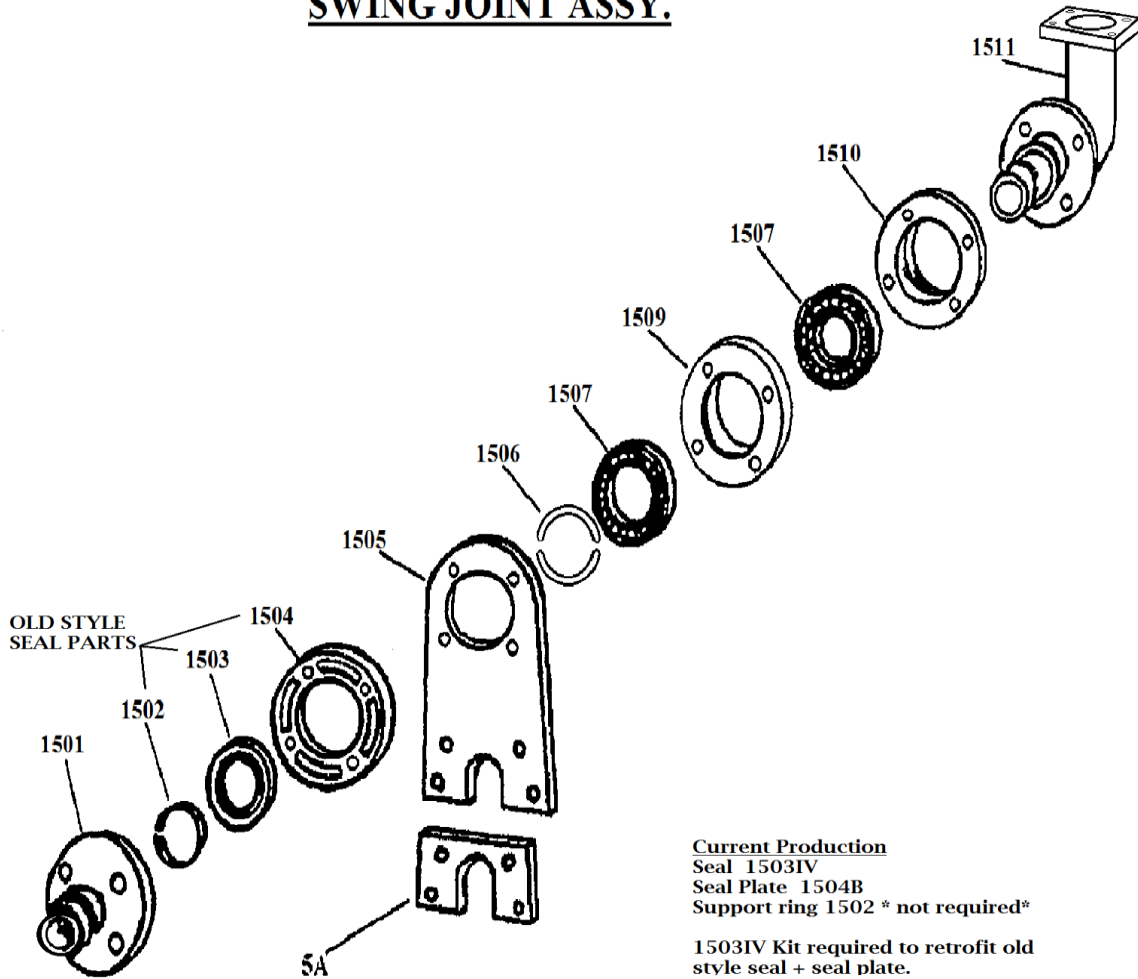
DEIGHAN HOSE REEL

QUALITY PETROLEUM DELIVERY REELS
SINCE 1978

PRICES EFFECTIVE 2/15/2011

PAGE 7

SWING JOINT ASSY.



Current Production
Seal 1503IV
Seal Plate 1504B
Support ring 1502 * not required*

1503IV Kit required to retrofit old style seal + seal plate.

DEIGHAN HOSE REEL

**QUALITY PETROLEUM DELIVERY REELS
SINCE 1978**

PRICES EFFECTIVE 2/15/2011

PAGE 8

A1500 1-1/2" SWING JOINT

<u>PART NO.</u>	<u>DESCRIPTION</u>	<u>LIST PRICE</u>
A1500	1-1/2" Swing Joint	\$ 475.00
A1500 Rebuild Kit	A1500 less 1511 & 1505	\$ 315.00
1501	Grooved Inlet	\$ 50.00
1502	Support Ring	\$ 6.00
1503-1	Seal Viton - old style	\$ 44.00
1503-2	Seal, Buna - old style	\$ 32.00
1503 IV	Seal Viton-new style (Seal only)	\$ 42.00
1503 IV KIT	New style seal & seal plate	\$ 65.00
1504	Seal Plate - old style	\$ 29.00
1504B	Seal Plate - new style	\$ 31.00
1505	Bearing Bracket	\$ 80.00
1506	Snap Rings (Set of 2)	\$ 9.00
1507	Ball Bearing	\$ 93.00
1509	Bearing Spacer	\$ 52.00

ADVANCED TANK SYSTEMS INC

301 ENTERPRISE LANE, COLMAR PA 18915
PHONE 215-822-1336 FAX 215-822-5591

DEIGHAN HOSE REEL

**QUALITY PETROLEUM DELIVERY REELS
SINCE 1978**

PRICES EFFECTIVE 2/15/2011

PAGE 9

A1500 1-1/2" SWING JOINT (cont.)

1510	Bearing Plate	\$ 36.00
1511	Spindle Body	\$190.00
1513	Nut	\$.30
1514	Elbow Gasket	\$ 6.00
1515	Bolt	\$.50
1516	Lock Washer	\$.30
A 2000	2" Swing Joint	\$565.00

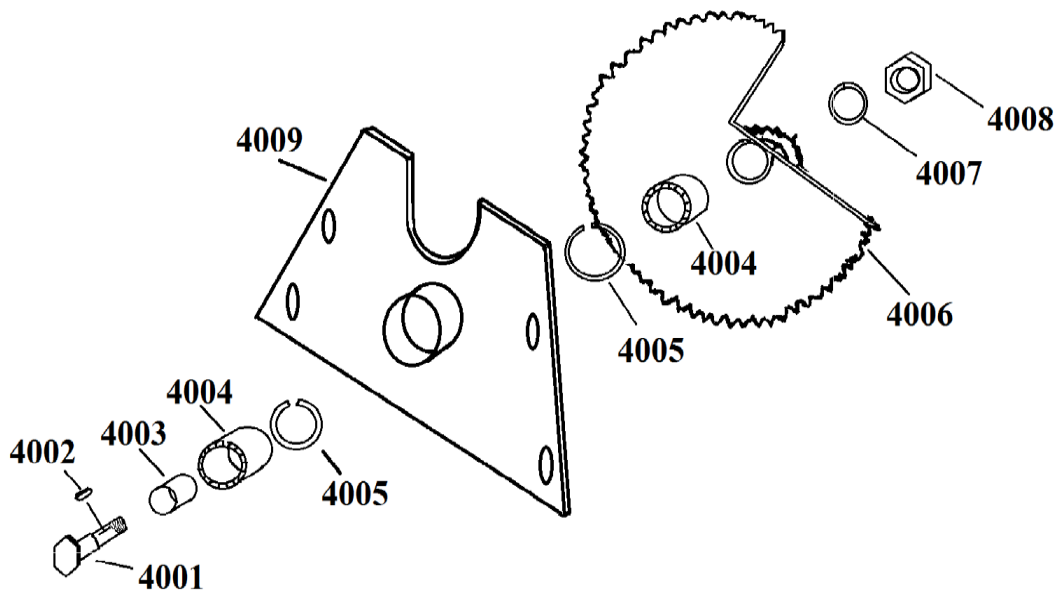
ADVANCED TANK SYSTEMS INC

301 ENTERPRISE LANE, COLMAR PA 18915
PHONE 215-822-1336 FAX 215-822-5591

DEIGHAN HOSE REEL

**QUALITY PETROLEUM DELIVERY REELS
SINCE 1978**

FACE WINDING MECHANISM



FACE DRIVE WILL NOT BE SOLD WITHOUT BRAKE ASSEMBLY

DEIGHAN HOSE REEL

**QUALITY PETROLEUM DELIVERY REELS
SINCE 1978**

PRICES EFFECTIVE 2/15/2011

PAGE 11

A4000-1 FACE DRIVE WITH AIR BRAKE

A4000 FACE DRIVE WITH HAND BRAKE

<u>PART NO.</u>	<u>DESCRIPTION</u>	LIST PRICE
A4000	Face Drive with hand brake	\$205.00
A4000-1	Face Drive with air brake	\$280.00
A5000	Hand Brake Assembly	\$ 60.00
A6000	Air Brake Assembly	\$160.00
4001	Sprocket Shaft	\$ 20.00
4002	Woodruff Key	\$.60
4004	Ball Bearing	\$ 16.00
4006	60/12 Sprocket	\$ 41.00
4007	Lock Washer	\$.30
4008	Hex Nut	\$.40
4009	Support Plate	\$ 55.00

ADVANCED TANK SYSTEMS INC

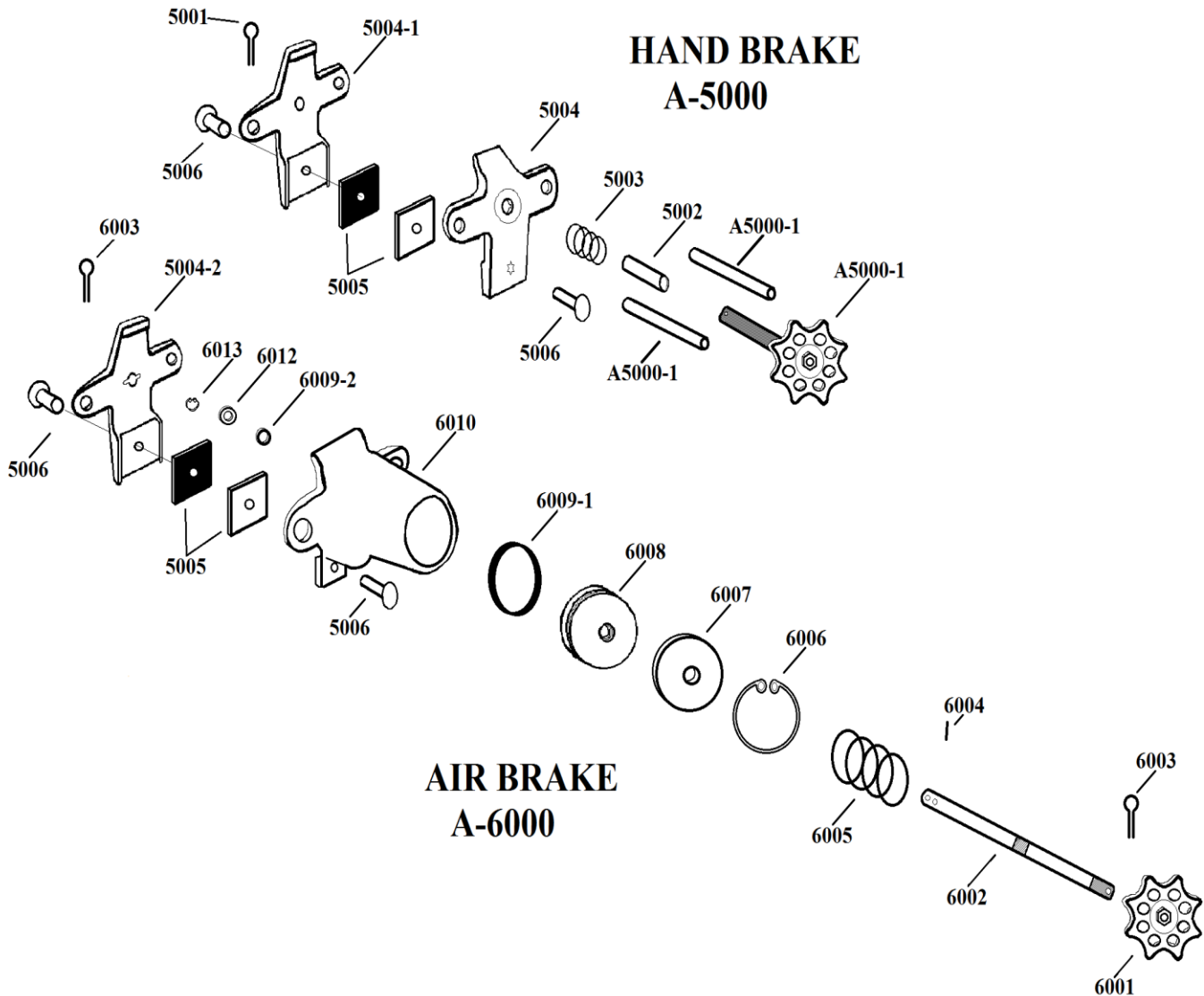
301 ENTERPRISE LANE, COLMAR PA 18915
PHONE 215-822-1336 FAX 215-822-5591

DEIGHAN HOSE REEL

QUALITY PETROLEUM DELIVERY REELS
SINCE 1978

PRICES EFFECTIVE 2/15/2011

PAGE 12



ADVANCED TANK SYSTEMS INC

301 ENTERPRISE LANE, COLMAR PA 18915
PHONE 215-822-1336 FAX 215-822-5591

DEIGHAN HOSE REEL

**QUALITY PETROLEUM DELIVERY REELS
SINCE 1978**

PRICES EFFECTIVE 2/15/2011

PAGE 13

A5000 HAND BRAKE

<u>PART NO.</u>	<u>DESCRIPTION</u>	<u>LIST PRICE</u>
A5000	Hand Brake Assembly	\$ 60.00
5001	Cotter Pin	\$.40
5002	Sleeve	\$ 5.00
5003	Spring	\$ 4.00
5004-1	Brake Shoe-Drilled	\$ 23.00
5004-2	Brake Shoe-Drilled & Tapped	\$ 24.00
5004-3	Brake Shoe-drilled & slotted	\$ 24.00
5005	Brake Lining	\$ 7.00
5006	Rivet	\$.40
A5000-1	Handwheel Assembly	\$ 22.00

ADVANCED TANK SYSTEMS INC

301 ENTERPRISE LANE, COLMAR PA 18915
PHONE 215-822-1336 FAX 215-822-5591

DEIGHAN HOSE REEL

**QUALITY PETROLEUM DELIVERY REELS
SINCE 1978**

PRICES EFFECTIVE 2/15/2011

PAGE 14

A6000 AIR BRAKE

<u>PART NO.</u>	<u>DESCRIPTION</u>	<u>LIST PRICE</u>
A6000	Air Brake Assembly	\$160.00
6001	Handwheel	\$ 7.00
6002	Shaft	\$ 28.00
*6003	Cotter Pin (brake shoe)	\$.40
*6004	Roll Pin	\$.40
*6005	Spring	\$ 6.00
*6006-1	Snap Ring, small	\$.50
*6006-2	Snap Ring, large	\$ 4.00
*6007-1	Cover	\$ 8.00
*6007-2	Washer	\$ 2.00
6008	Piston	\$ 30.00
*6009-1	U cup, large	\$ 12.00
*6009-2	U cup, small	\$ 7.00
6010	Cylinder	\$ 75.00

ADVANCED TANK SYSTEMS INC

301 ENTERPRISE LANE, COLMAR PA 18915
PHONE 215-822-1336 FAX 215-822-5591

DEIGHAN HOSE REEL

**QUALITY PETROLEUM DELIVERY REELS
SINCE 1978**

PRICES EFFECTIVE 2/15/2011

PAGE 15

A6000 AIR BRAKE (CONT.)

5004-3	Brake shoe drilled & slotted	\$ 21.00
5005	Brake Lining	\$ 6.50
5006	Rivet	\$.50
6000K	Repair Kit (includes all items marked above with an asterisk)	\$ 45.00

ADVANCED TANK SYSTEMS INC

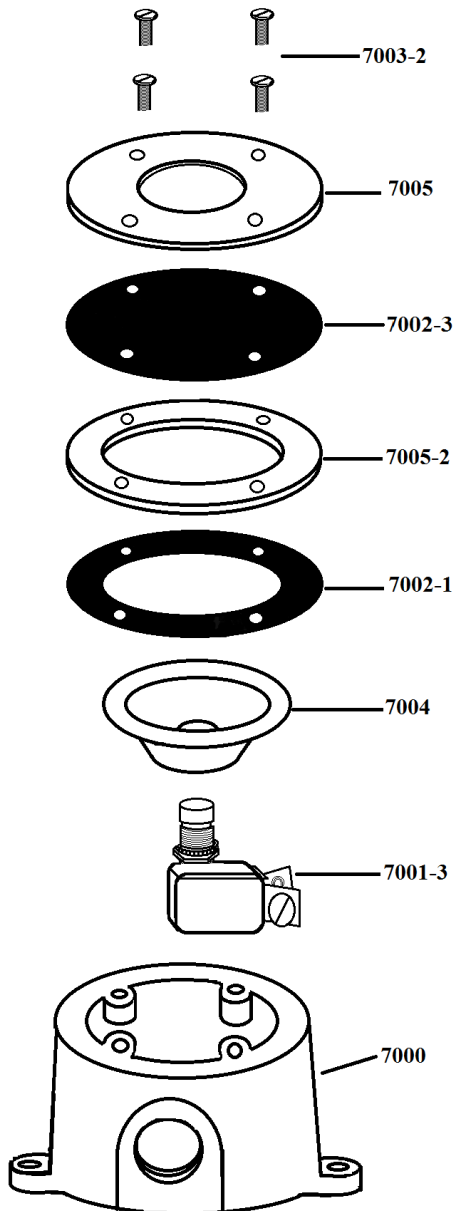
301 ENTERPRISE LANE, COLMAR PA 18915
PHONE 215-822-1336 FAX 215-822-5591

DEIGHAN HOSE REEL

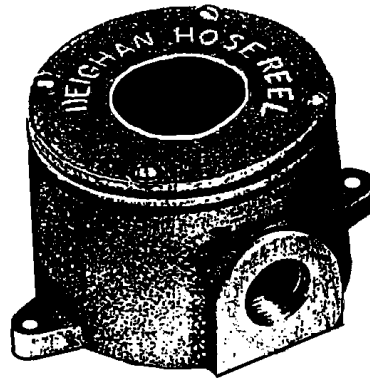
QUALITY PETROLEUM DELIVERY REELS
SINCE 1978

PRICES EFFECTIVE 2/15/2011

PAGE 16



A7000 WATERPROOF SWITCH



DEIGHAN HOSE REEL

**QUALITY PETROLEUM DELIVERY REELS
SINCE 1978**

PRICES EFFECTIVE 2/15/2011

PAGE 18

MISCELLANEOUS PARTS

<u>PART NO.</u>	<u>DESCRIPTION</u>	<u>LIST PRICE</u>
9000-239	Base motor 2/3 HP, 500 RPM leads At 9-drilled & tapped for air brake	\$330.00
9000-250	Combination base/flanged face 2/3 HP, 700 RPM leads at 9	\$330.00
9004	12 v. solenoid	\$ 37.00
9005	70 amp manual breaker	\$ 58.00
9009	70T Sprocket	\$ 28.00
A9011	Hose clamp with leather	\$ 20.00
9011	Hose clamp only	\$ 12.00
9011-1	Leather only	\$ 8.00

ADVANCED TANK SYSTEMS INC

301 ENTERPRISE LANE, COLMAR PA 18915
PHONE 215-822-1336 FAX 215-822-5591

DEIGHAN HOSE REEL

**QUALITY PETROLEUM DELIVERY REELS
SINCE 1978**

PRICES EFFECTIVE 2/15/2011

PAGE 19

MISCELLANEOUS PARTS

<u>PART NO.</u>	<u>DESCRIPTION</u>	<u>LIST PRICE</u>
9012-C	35" Chain	\$ 18.00
9012-L	Master Link	\$ 1.00
9013	1-1/2' F elbow	\$ 56.00
9014	1-1/2" M elbow	\$ 56.00
9017	1-1/4" F elbow	\$ 56.00
9018	1-1/4" M elbow	\$ 56.00
9021	End flange	\$ 40.00
9022	Rear bearing	\$ 80.00
9025	2" Female elbow	\$110.00
9026	2" Male elbow	\$110.00
9027	Motor brushes (set)	\$ 33.00
10372-1	Motor mount, Face	\$ 60.00
10372-2	Motor mount, base	\$ 60.00

ADVANCED TANK SYSTEMS INC

301 ENTERPRISE LANE, COLMAR PA 18915
PHONE 215-822-1336 FAX 215-822-5591

DEIGHAN HOSE REEL

**QUALITY PETROLEUM DELIVERY REELS
SINCE 1978**

PRICES EFFECTIVE 2/15/2011

PAGE 20

PARTS FOR 15-52A REEL

10348-1	Bearing (.786 dia, shaft)	\$ 65.00
10348-2	Bearing (.686 dia. shaft)	\$ 65.00
10376-1	Sprocket & shaft (.786 dia.)	\$165.00
10376-2	Sprocket & shaft (.686 dia.)	\$165.00
4005-4	14 Tooth sprocket	\$ 60.00

ADVANCED TANK SYSTEMS INC

301 ENTERPRISE LANE, COLMAR PA 18915
PHONE 215-822-1336 FAX 215-822-5591